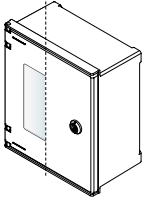
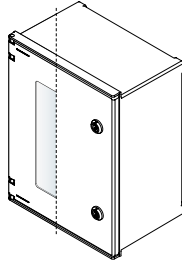


Enclosure sizes

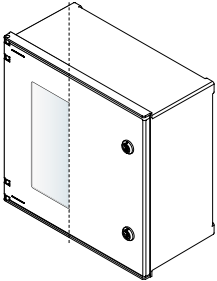
PS 321



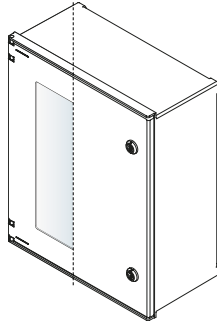
PS 432



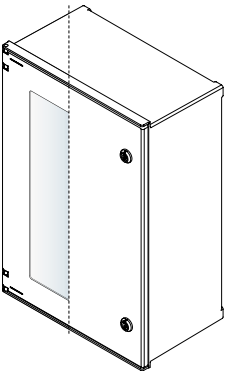
PS 442



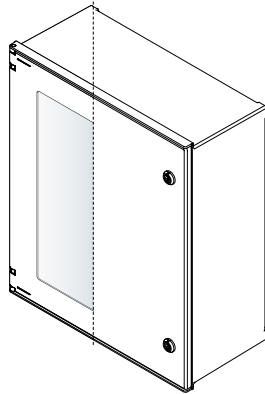
PS 542



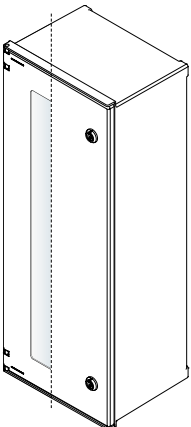
PS 642



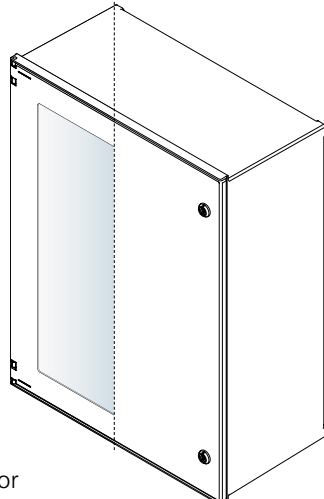
PS 652



PS 832

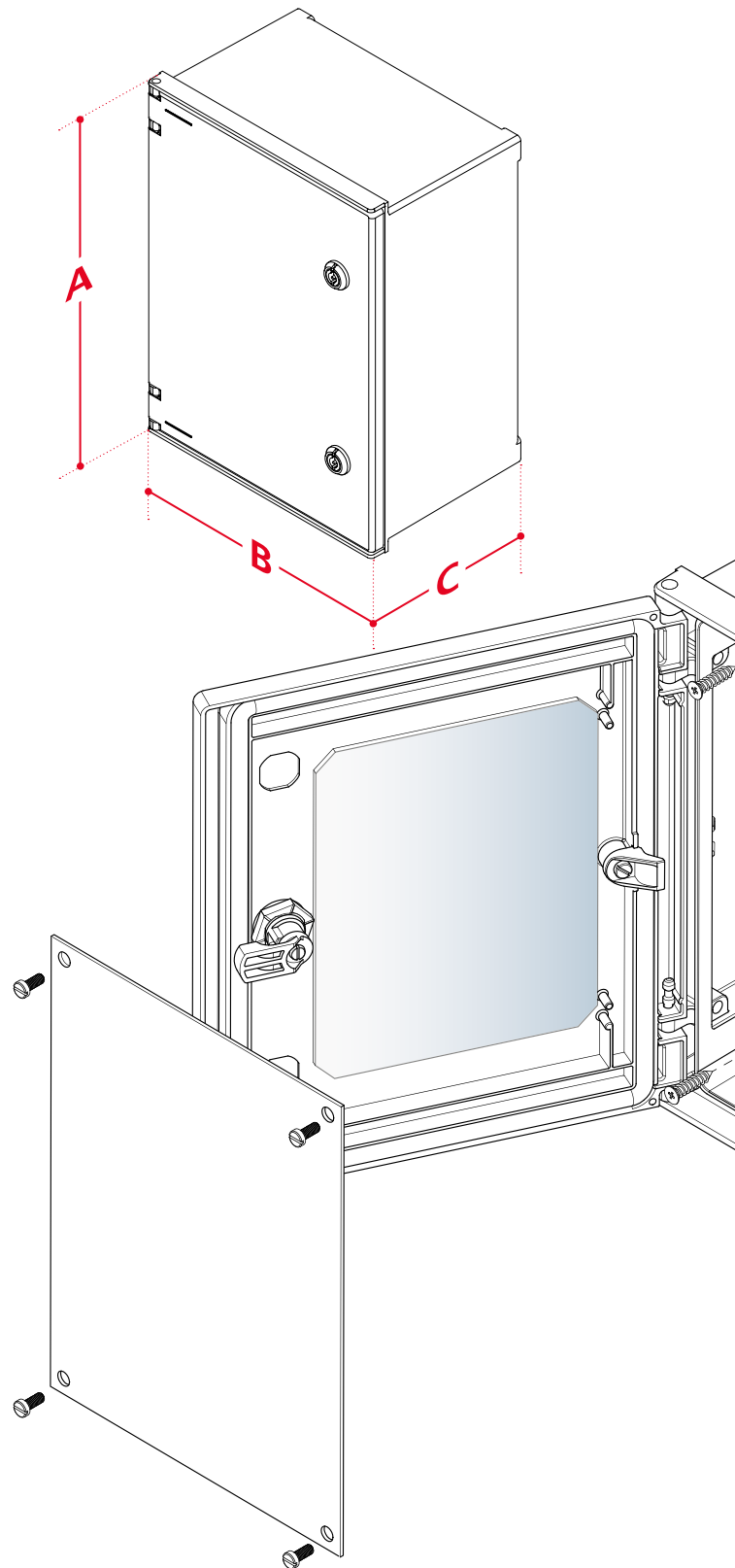


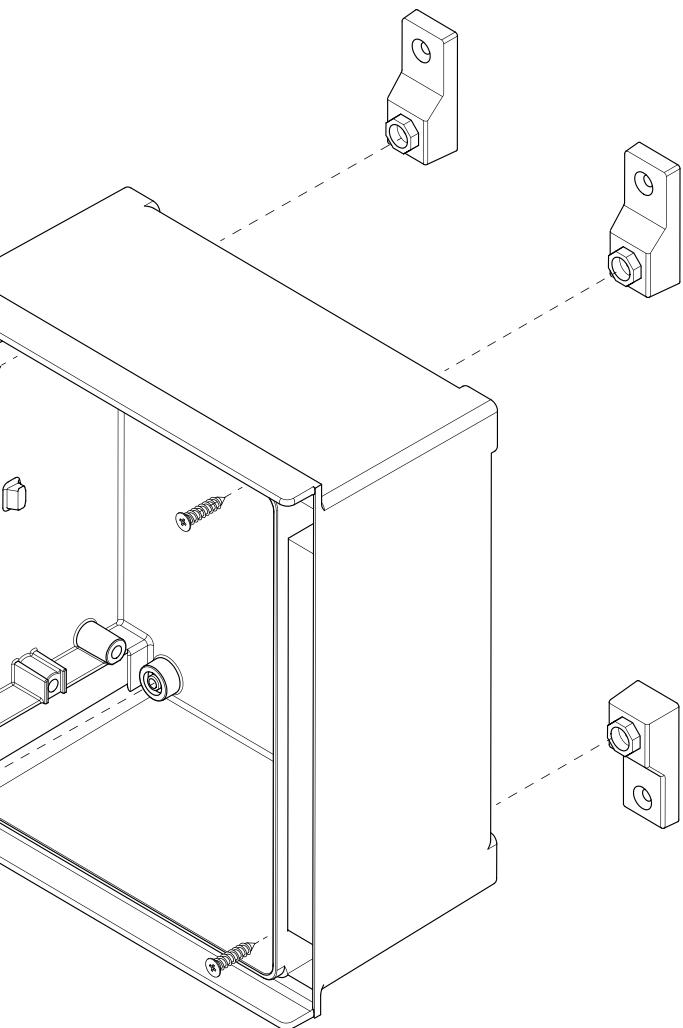
PS 863



The door is available closed or with an viewing window (-T).

Design types





Dimensions

Model	A	B	C
PS 321(-T)	300	250	140
PS 432(-T)	400	300	200
PS 442(-T)	400	400	200
PS 542(-T)	500	400	200
PS 642(-T)	600	400	230
PS 652(-T)	600	500	230
PS 832(-T)	800	300	230
PS 863(-T)	800	600	300

Accessories



Inner door with lock



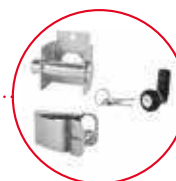
Metal frame for installation devices acc. to DIN



Door locking device



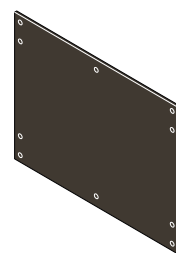
Various locks



Wall brackets



Mast mounting



Mounting panels in different versions