

Bohrungsabstand für Kabelverschraubungen

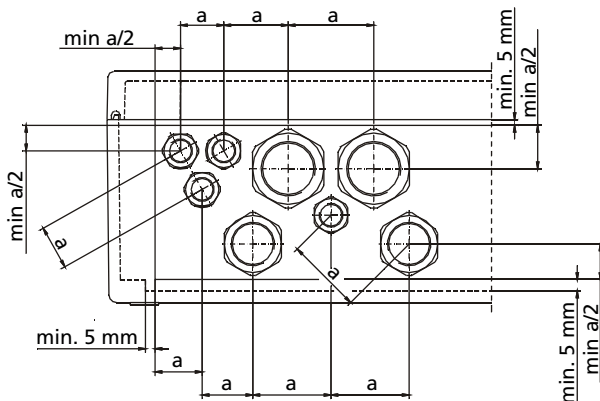
Drilling spacing for cable glands

Espacement de perçage pour presses-étoupes



A Phoenix Mecano Company

M	a	M	a	M	a
12	20 mm	12 + 16	21 mm	16 + 20	24 mm
16	22 mm	12 + 20	23 mm	16 + 20	25 mm
20	26 mm	12 + 20	24 mm	16 + 25	27 mm
20	27 mm	12 + 25	26 mm	16 + 32	32 mm
25	32 mm	12 + 32	31 mm	16 + 40	37 mm
32	42 mm	12 + 40	37 mm	16 + 50	43 mm
40	53 mm	12 + 50	42 mm	16 + 63	46 mm
50	63 mm	12 + 63	46 mm	16 + 63	49 mm
63	70 mm	12 + 63	48 mm		
63	75 mm				
M	a	M	a	M	a
20 + 20	27 mm	20 + 25	30 mm	25 + 32	37 mm
20 + 25	29 mm	20 + 32	35 mm	25 + 40	43 mm
20 + 32	34 mm	20 + 40	41 mm	25 + 50	48 mm
20 + 40	40 mm	20 + 50	46 mm	25 + 63	51 mm
20 + 50	45 mm	20 + 63	49 mm	25 + 63	54 mm
20 + 63	48 mm	20 + 63	52 mm		
20 + 63	51 mm				
M	a	M	a	M	a
32 + 40	50 mm	40 + 50	61 mm	50 + 63	69 mm
32 + 50	55 mm	40 + 63	64 mm	50 + 63	72 mm
25 + 63	58 mm	40 + 63	67 mm		
25 + 63	61 mm				
M	a				
63 + 63	73 mm				



Abstand/Distance/Distance = a